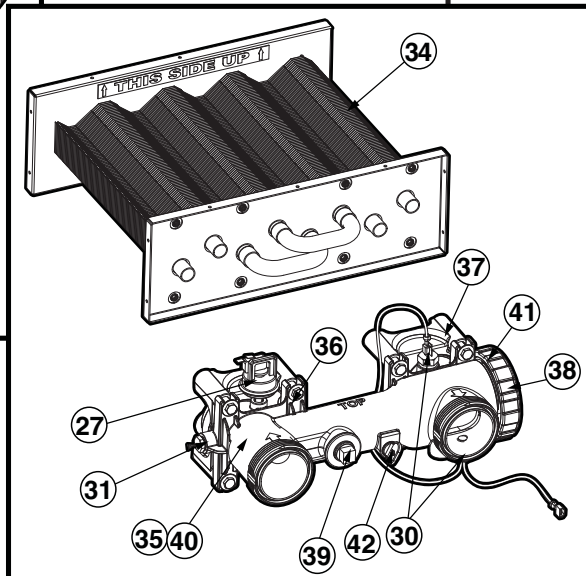
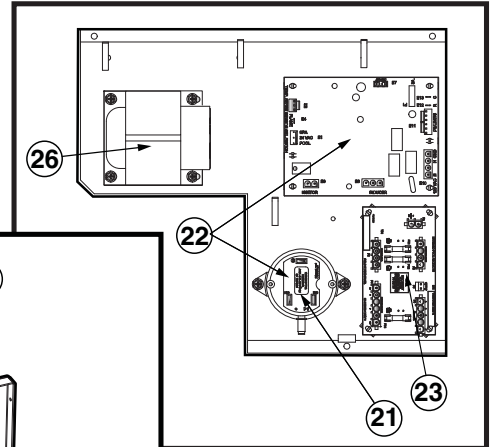
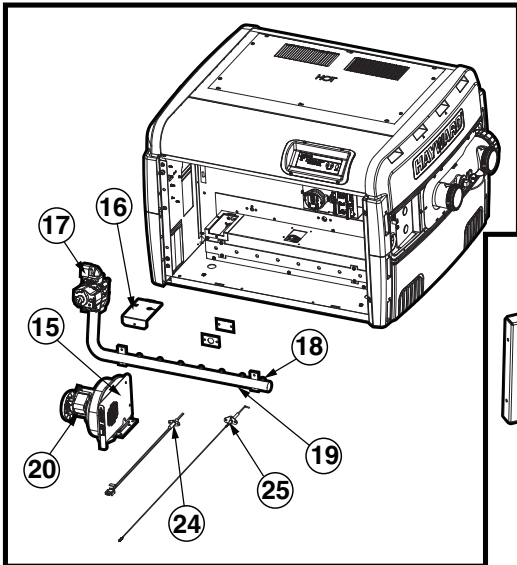
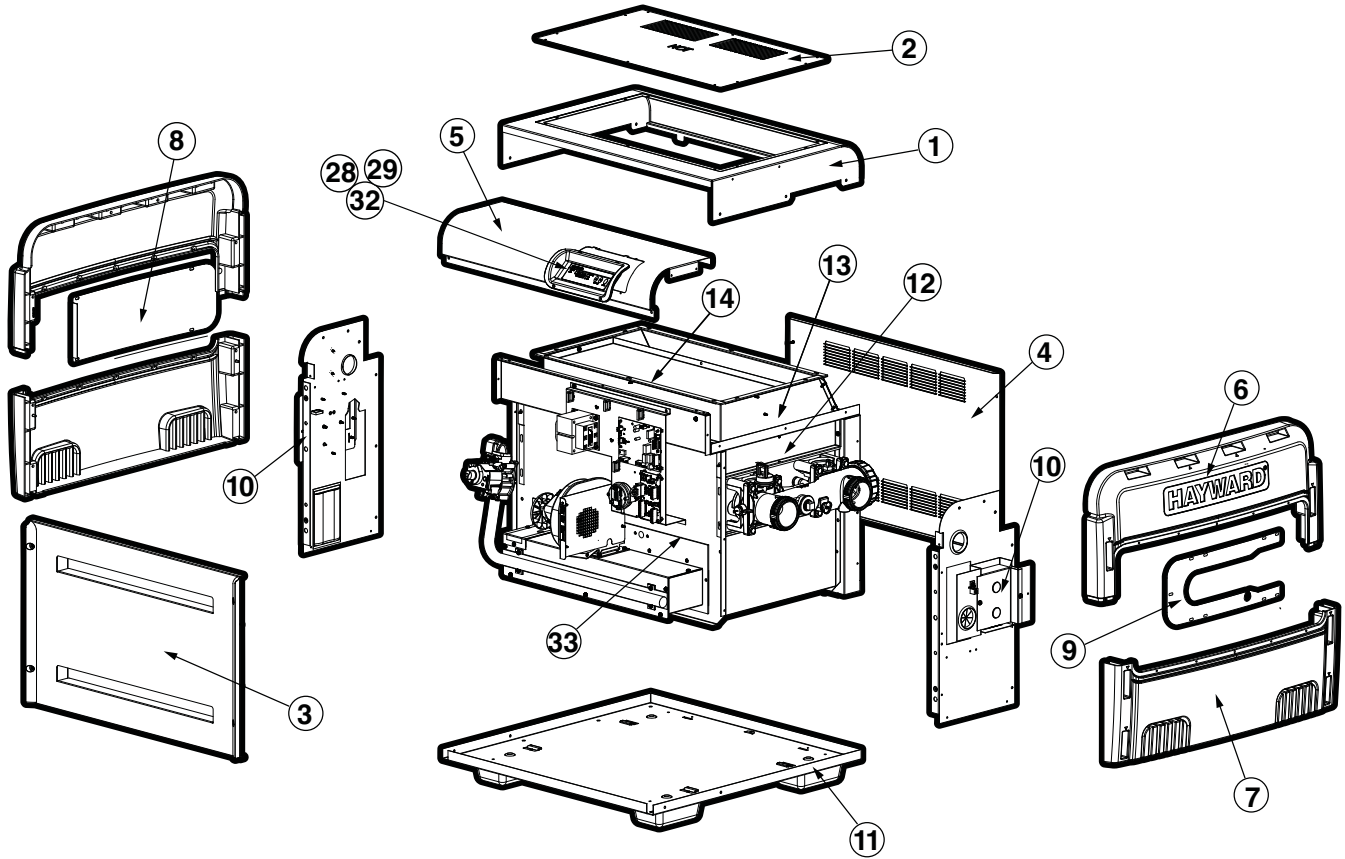




Universal H-Series Low NOx

REPLACEMENT PARTS

Parts Diagram: H150FD, H200FD, H250FD, H300FD, H350FD, H400FD



Universal H-Series Low NOx

REPLACEMENT PARTS



Parts Listing: H150FD, H200FD, H250FD, H300FD, H350FD, H400FD

Ref. No.	Part No.	Description	Ref. No.	Part No.	Description	Ref. No.	Part No.	Description
1	FDXLJKT1150	Jacket Top and Flue Cover – H150FD	17	FDXLGVS0002	Gas Valve Propane Gas – FD			includes:
1	FDXLJKT1200	Jacket Top and Flue Cover – H200FD	18	FDXLBON1930	Burner Orifice Kit Natural Gas – FD			Gasket, Flue Collector Side
1	FDXLJKT1250	Jacket Top and Flue Cover – H250FD	18	FDXLBOP1930	Burner Orifice Kit Propane Gas – FD			Gasket, Rain Guard Side
1	FDXLJKT1250A	Jacket Top, Gray, ASME – H250FD	19	FDXLMAN1150	Gas Manifold – H150FD			Gasket, Rain Guard Bottom Side
1	FDXLJKT1300	Jacket Top and Flue Cover – H300FD	19	FDXLGCK1150NP	Conversion Kit, NA to LP, Quick-Change – H150FD			Gasket, Flue Collector Top
1	FDXLJKT1350	Jacket Top and Flue Cover – H350FD						Gasket, Rain Guard Front and Rear
1	FDXLJKT1400	Jacket Top and Flue Cover – H400FD	19	FDXLGCK1150PN	Conversion Kit, LP to NA, Quick-Change – H150FD			Gasket, Rain Guard Bottom Front and Rear
1	FDXLJKT1400A	Jacket Top, Gray, ASME – H400FD				—	FDXLGSK1933	Insulation, Return Side Tube Sheet – FD
2	FDXLJFC1150	Top/Flue Cover – H150FD	19	FDXLMAN1200	Gas Manifold – H200FD	—	FDXLUNK1930A	ASME Union Flange Kit
2	FDXLJFC1200	Top/Flue Cover – H200FD	19	FDXLGCK1200NP	Conversion Kit, NA to LP, Quick-Change – H200FD	—	FDXLDRV1930A	(includes Flange Fittings, Bolts, Gaskets)
2	FDXLJFC1250	Top/Flue Cover – H250FD	19	FDXLGCK1200PN	Conversion Kit, LP to NA, Quick-Change – H200FD	—	FDXLPLG1930	Drain Valve, ASME
2	FDXLJFC1250A	Top Flue Cover, Gray, ASME – H250FD	19	FDXLGCK1200PN	Conversion Kit, LP to NA, Quick-Change – H200FD	—	FDXLVPS1930	1/8" NPT Brass Plug
2	FDXLJFC1300	Top/Flue Cover – H300FD	19	FDXLMAN1250	Gas Manifold – H250FD	—	FDXLVPS1931	Vent Pressure Switch, Indoor, 0–2,000 ft
2	FDXLJFC1350	Top/Flue Cover – H350FD	19	FDXLGCK1250NP	Conversion Kit, NA to LP, Quick-Change – H250FD	—		Vent Pressure Switch, Indoor, 2,000–10,100 ft
2	FDXLJFC1400	Top/Flue Cover – H400FD	19	FDXLGCK1250PN	Conversion Kit, LP to NA, Quick-Change – H250FD	—	FDXLVSJ1930	Voltage Selector Jumper
2	FDXLJFC1400A	Top Flue Cover, Gray, ASME – H400FD	19	FDXLGCK1250PN	Conversion Kit, LP to NA, Quick-Change – H250FD	—	IDXLTM1931	Terminal Block – Remote Connection
3	FDXLJAD1150	Front Access Door Assembly – H150FD	19	FDXLGCK1300NP	Conversion Kit, NA to LP, Quick-Change – H300FD	—	UHXHF6TERM	Heatfab Stainless Vent Kit, 6" Horizontal
3	FDXLJAD1200	Front Access Door Assembly – H200FD				—		Elbow Terminal
3	FDXLJAD1250	Front Access Door Assembly – H250FD	19	FDXLMAN1300	Gas Manifold – H300FD	—	UHXHF6STEM	Heatfab Stainless Vent Kit, 6" Horizontal
3	FDXLJAD1250A	Front Door Assembly, Gray, ASME – H250FD	19	FDXLGCK1300NP	Conversion Kit, NA to LP, Quick-Change – H300FD	—		Straight Terminal
3	FDXLJAD1300	Front Access Door Assembly – H300FD	19	FDXLGCK1300PN	Conversion Kit, LP to NA, Quick-Change – H300FD	—	UHXHF6ELBOW	Heatfab Stainless Vent Kit, 6" 90° Elbow
3	FDXLJAD1350	Front Access Door Assembly – H350FD	19	FDXLGCK1300PN	Conversion Kit, LP to NA, Quick-Change – H300FD	—	UHXHF6PIPE18	Heatfab Stainless Vent Kit, 6" Vent Pipe, 18" Long
3	FDXLJAD1400	Front Access Door Assembly – H400FD	19	FDXLMAN1350	Gas Manifold – H350FD	—	UHXHF6PIPE24	Heatfab Stainless Vent Kit, 6" Vent Pipe, 24" Long
3	FDXLJAD1400A	Front Door Assembly, Gray, ASME – H400FD	19	FDXLGCK1350NP	Conversion Kit, NA to LP, Quick-Change – H350FD	—	UHXHF6PIPE36	Heatfab Stainless Vent Kit, 6" Vent Pipe, 36" Long
4	FDXLRAD1150	Rear Access Door Assembly – H150FD	19	FDXLMAN1400	Gas Manifold – H400FD	—	UHXHF8STEM	Heatfab Stainless Vent Kit, 8" Horizontal
4	FDXLRAD1200	Rear Access Door Assembly – H200FD	19	FDXLGCK1400NP	Conversion Kit, NA to LP, Quick-Change – H400FD	—		Straight Terminal
4	FDXLRAD1250	Rear Access Door Assembly – H250FD	19	FDXLGCK1400PN	Conversion Kit, LP to NA, Quick-Change – H400FD	—	UHXHF8ELBOW	Heatfab Stainless Vent Kit, 8" 90° Elbow
4	FDXLRAD1250A	Rear Door Assembly, Gray, ASME – H250FD	19	FDXLGCK1400PN	Conversion Kit, LP to NA, Quick-Change – H400FD	—	UHXHF8PIPE18	Heatfab Stainless Vent Kit, 8" Vent Pipe, 18" Long
4	FDXLRAD1300	Rear Access Door Assembly – H300FD	20	FDXLBWR1930	Combustion Blower – FD	—	UHXHF8PIPE24	Heatfab Stainless Vent Kit, 8" Vent Pipe, 24" Long
4	FDXLRAD1350	Rear Access Door Assembly – H350FD	21	FDXLBVS1930	Blower Vacuum Switch	—	UHXHF8PIPE36	Heatfab Stainless Vent Kit, 8" Vent Pipe, 36" Long
4	FDXLRAD1400	Rear Access Door Assembly – H400FD	22	FDXLBV1930	Blower Vacuum Switch	—		Heatfab Stainless Vent Kit, 8" Vent Pipe, 36" Long
4	FDXLRAD1400A	Rear Door Assembly, Gray, ASME – H400FD	23	FDXLFWP1930	Field Wiring Panel – FD	—	UHXNEGVT11501	Indoor Vent Adapter Kit, H150FD, Negative-Pressure (Vertical)
4	FDXLRF1150	Top and Front Panel – H150FD	24	FDXLIGN1930	Ignitor – FD	—	UHXNEGVT12001	Indoor Vent Adapter Kit, H200FD, Negative-Pressure (Vertical)
5	FDXLTFP1200	Top and Front Panel – H200FD	25	IDXLFLS1930	Flame Sensor	—	UHXNEGVT12501	Indoor Vent Adapter Kit, H250FD, Negative-Pressure (Vertical)
5	FDXLTFP1250	Top and Front Panel – H250FD	26	IDXL2TRF1930	Transformer	—	UHXNEGVT13001	Indoor Vent Adapter Kit, H300FD, Negative-Pressure (Vertical)
5	FDXLTFP1250A	Top Front Panel, Gray, ASME – H250FD	27	FDXLWPS1930	Water Pressure Switch	—	UHXNEGVT13501	Indoor Vent Adapter Kit, H350FD, Negative-Pressure (Vertical)
5	FDXLTFP1300	Top and Front Panel – H300FD	28	IDXL2DB1930	Display Board Only	—	UHXNEGVT14001	Indoor Vent Adapter Kit, H400FD, Negative-Pressure (Vertical)
5	FDXLTFP1350	Top and Front Panel – H350FD	29	FDXLBKP1930	Bezel and Keypad Assembly	—	UHXPOSHZ11501	Indoor Vent Adapter Kit, H150FD, Positive-Pressure (Horizontal)
5	FDXLTFP1400	Top and Front Panel – H400FD	29	FDXLBKP1931	Bezel and Keypad Assembly – CAL	—	UHXPOSHZ12001	Indoor Vent Adapter Kit, H200FD, Positive-Pressure (Horizontal)
5	FDXLTFP1400A	Top Front Panel, Gray, ASME – H400FD	30	FDXLHL1930	High Limit 135°F	—	UHXPOSHZ12501	Indoor Vent Adapter Kit, H250FD, Positive-Pressure (Horizontal)
6	FDXLUCC1930	Upper End Cap – FD	31	FDXLTER1930	Thermistor	—	UHXPOSHZ13001	Indoor Vent Adapter Kit, H300FD, Positive-Pressure (Horizontal)
7	FDXLECC1930	Lower End Cap – FD	32	FDXLGSK1932	Gasket, Bezel/Top – FD	—	UHXPOSHZ13501	Indoor Vent Adapter Kit, H350FD, Positive-Pressure (Horizontal)
8	FDXLLTP1930	Left Trim Panel Kit	33	FDXLGSK1934	Gasket, CC Front/Air Box – FD All Models	—	UHXPOSHZ14001	Indoor Vent Adapter Kit, H400FD, Positive-Pressure (Horizontal)
9	FDXLRT1930	Right Trim Panel Kit	34	FDXLHXA1150	Heat Exchanger Assembly – H150FD	—		Indoor Vent Adapter Kit, H150FD, Positive-Pressure (Horizontal)
10	FDXLLCB1930*	Left Connection Box – FD	34	FDXLHXA1200	Heat Exchanger Assembly – H200FD	—		Indoor Vent Adapter Kit, H200FD, Positive-Pressure (Horizontal)
10	FDXLLJB1930**	Left Junction Box – FD	34	FDXLHXA1250	Heat Exchanger Assembly, ASME – H250FD	—		Indoor Vent Adapter Kit, H250FD, Positive-Pressure (Horizontal)
10	FDXLRCB1930*	Right Connection Box – FD	34	FDXLHXA1300	Heat Exchanger Assembly – H300FD	—		Indoor Vent Adapter Kit, H300FD, Positive-Pressure (Horizontal)
10	FDXLLJC1930	Junction Box Cover, Left	34	FDXLHXA1350	Heat Exchanger Assembly – H350FD	—		Indoor Vent Adapter Kit, H350FD, Positive-Pressure (Horizontal)
10	FDXLRJC1930	Junction Box Cover, Right	34	FDXLHXA1400	Heat Exchanger Assembly – H400FD	—		Indoor Vent Adapter Kit, H400FD, Positive-Pressure (Horizontal)
11	FDXLPBL1930	Base Leg – FD	34	FDXLHXA1400A	Heat Exchanger Assembly, ASME – H400FD	—		Indoor Vent Adapter Kit, H400FD, Positive-Pressure (Horizontal)
12	FDXLFCS1930	Flue Collector Side Panel	35	FDXLFHA1930	Header Assembly	—		Indoor Vent Adapter Kit, H400FD, Positive-Pressure (Horizontal)
13	FDXLRGK1150†	Rain Guard Assembly – H150FD	36	FDXLHDDW1930	Header Hardware Kit	—		Indoor Vent Adapter Kit, H400FD, Positive-Pressure (Horizontal)
13	FDXLRGK1151††	Rain Guard Assembly – H150FD	37	FDXLHMB1930	Header Mounting Base Kit	—		Indoor Vent Adapter Kit, H400FD, Positive-Pressure (Horizontal)
13	FDXLRGK1200†	Rain Guard Assembly – H200FD	38	FDXLBPK1930	Bypass Cartridge Kit	—		Indoor Vent Adapter Kit, H400FD, Positive-Pressure (Horizontal)
13	FDXLRGK1201††	Rain Guard Assembly – H200FD	39	CHXPLG1930	3/4" NPT Brass Plug	—		Indoor Vent Adapter Kit, H400FD, Positive-Pressure (Horizontal)
13	FDXLRGK1250†	Rain Guard Assembly – H250FD	40	FDXLHFD1930	Header Only	—	FDXLTDK1930	Tie-Down Kit – FD
13	FDXLRGK1251††	Rain Guard Assembly – H250FD	41	FDXLCRN1930	Header Cartridge Retaining Nut	—	FDXLWHA0001*	Wiring Harness Kit Complete – FD
13	FDXLRGK1251††	Rain Guard Assembly – H250FD	42	SPX4000FG	Drain Plug with Gasket	—	FDXLWHA1930**	Wiring Harness Kit Complete – FD
13	FDXLRGK1251††	Rain Guard Assembly – H250FD	—	—	—	—	FDXLCNK0001	Conversion Kit – NA to LP
13	FDXLRGK1300†	Rain Guard Assembly – H300FD	—	—	—	—	FDXLCNK0002	Conversion Kit – LP to NA
13	FDXLRGK1301††	Rain Guard Assembly – H300FD	—	—	—	—	FDXLFSK1930	Conversion Kit, H150FD-H400FD
13	FDXLRGK1350†	Rain Guard Assembly – H350FD	—	—	—	—		High-Altitude, 2,000-10,100 ft.
13	FDXLRGK1351††	Rain Guard Assembly – H350FD	—	—	—	—	FDXLVSJ1930	Voltage Selector Jumpers
13	FDXLRGK1400†	Rain Guard Assembly – H400FD	—	—	—	—	FDXLFSKF30	Fuse Kit, 3.0A, for Field Wiring Panel (Qty. 10)
13	FDXLRGK1401††	Rain Guard Assembly – H400FD	—	—	—	—	FDXLFSKF15	Fuse Kit, 1.5A, for Field Wiring Panel (Qty. 10)
14	FDXLHBP1150	Heat Barrier Panel – H150FD	—	—	—	—	FDXLFSKF25	Fuse Kit, 2.5A, for Field Wiring Panel (Qty. 10)
14	FDXLHBP1200	Heat Barrier Panel – H200FD	—	—	—	—	FDXLFSKC30	Fuse Kit, 3.0A, for Integrated Control Board (Qty. 10)
14	FDXLHBP1250	Heat Barrier Panel – H250FD	—	—	—	—		
14	FDXLHBP1300	Heat Barrier Panel – H300FD	—	—	—	—		
14	FDXLHBP1350	Heat Barrier Panel – H350FD	—	—	—	—		
14	FDXLHBP1400	Heat Barrier Panel – H400FD	—	—	—	—		
15	FDXLBBN1150	Blower Inlet Baffle – H150FD	—	FDXLCBC1930*	Control Box Cover Assembly			
15	FDXLBBN1200	Blower Inlet Baffle – H200FD	—	FDXLGSK1930	Gasket Kit – Air Side (all models)			
15	FDXLBBN1250	Blower Inlet Baffle – H250FD						
15	FDXLBBN1300	Blower Inlet Baffle – H300FD						
15	FDXLBBN1350	Blower Inlet Baffle – H350FD						
15	FDXLBBN1400	Blower Inlet Baffle – H400FD						
16	FDXLIAC1930	Ignitor Access Cover						
17	FDXLGVS0001	Gas Valve Natural Gas – FD	—	FDXLGSK1931	Gasket Kit – Exhaust Side (all models)			

*Used only on Heaters made before 9/9/08, serial #21130809100177001

**Used only on Heaters made after 9/9/08, serial #21130809100177001

†Used only on heaters made before 5/11/2010, serial #21130005101018001

††Used only on heaters made after 5/11/2010, serial #21130005101018001

Heating