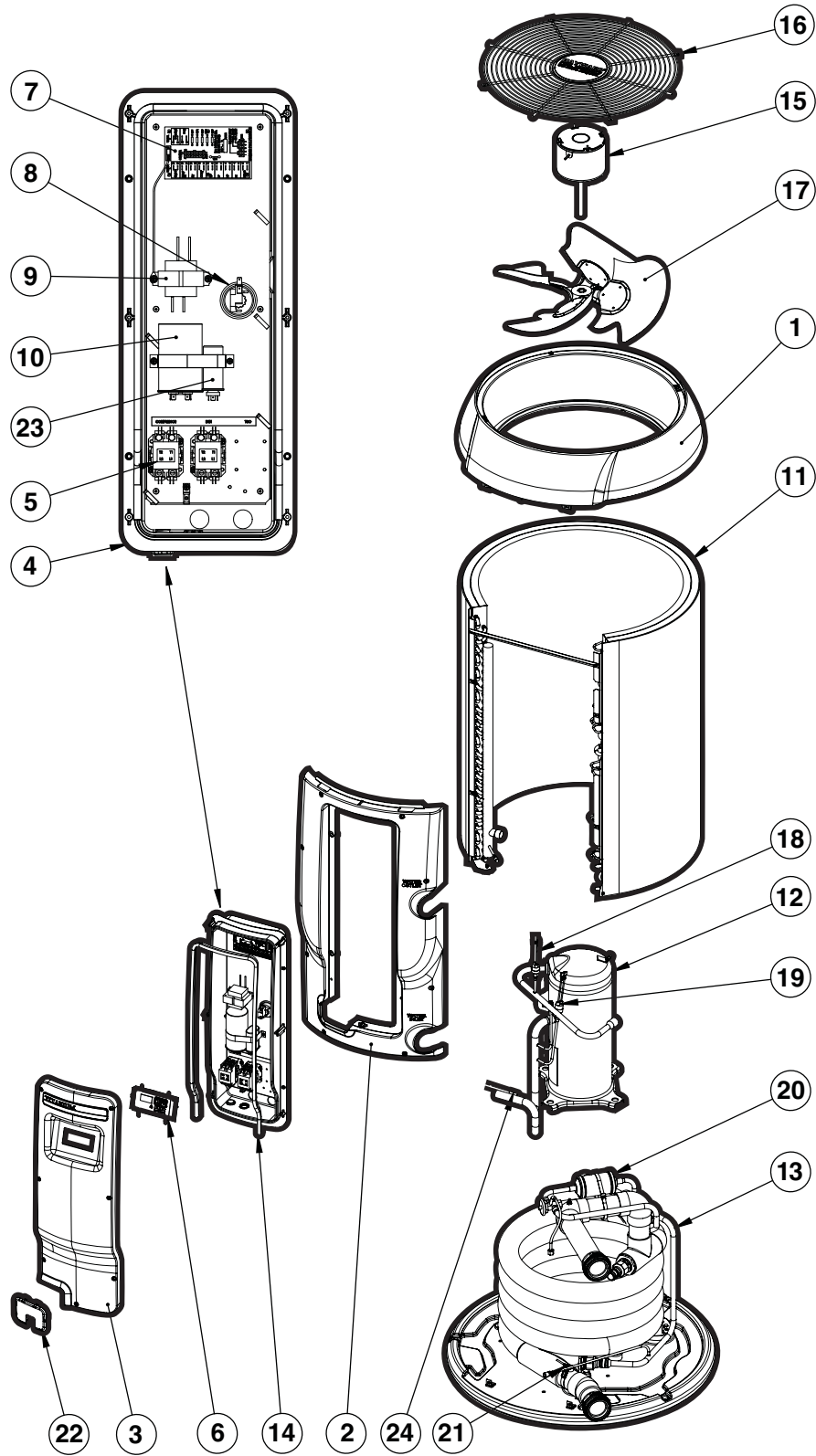




HeatPro®

HEAT PUMP REPLACEMENT PARTS

Parts Diagram: HP20654T, HP20654BT, HP20854BT, HP20854T, HP21104T



Heating

Parts Listing: HP20654T, HP20654BT, HP20854T, HP20854BT, HP21104T

Ref. No.	Part No.	Description
1	HPX01023502	Fan Top for HP20654T, HP20854T, HP21104T
2	HPX01023503	Side Panel for HP20654T, HP20854T, HP21104T
3	HPX01023504	Control Box Cover
4	HPX01023505	Control Box
5	HPX1985	Contractor
6	HPX26024139	Control Board Assembly
7	HPX11024130	Interface Board
8	HPX2181	Water Pressure Switch
9	HPX11023693	Transformer
10	HPX11024270	Capacitor for HP20654T
10	HPX11024272	Capacitor for HP20854T
10	HPX11024743	Capacitor for HP21104T
11	HPX24024238	Bent Coil with Guard for HP20654T, HP20854T
11	HPX24024241	Bent Coil with Guard for HP21104T
12	HPX11024257	Compressor for HP20654T
12	HPX11024204	Compressor for HP20854T
12	HPX11024203	Compressor for HP21104T
13	HPX24024712	Condenser for HP20654T, HP20854T
13	HPX24024210	Condenser for HP21104T
14	HPX05023549	Cover Gasket
15	HPX11023564	Fan Motor, 1/3 H.P.
16	HPX01023561	Fan Guard
17	HPX15024321	Fan Blade
18	HPX11024258	Replacement HP Switch
19	HPX11024259	Replacement LP Switch
20	HPX15024216	Expansion Valve Assembly for HP20654T
20	HPX15024215	Expansion Valve Assembly for HP20854T
20	HPX15024214	Expansion Valve Assembly for HP21104T
21	HPX2169	Temperature Sensor
22	HPX01023760	Electrical Entry Plug
23	HPX11024151	Fan Run Capacitor
24	HPX11024169	Defrost Sensor

NOT PICTURED

—	HPX10023517	HPC Cable
—	HPX02024108	Compressor Blanket
—	HPX0054	Compressor Mount Kit
—	HPX10024732	Compressor Electrical Plug for HP20654T
—	HPX10024289	Compressor Electrical Plug for HP20854T, HP21104T



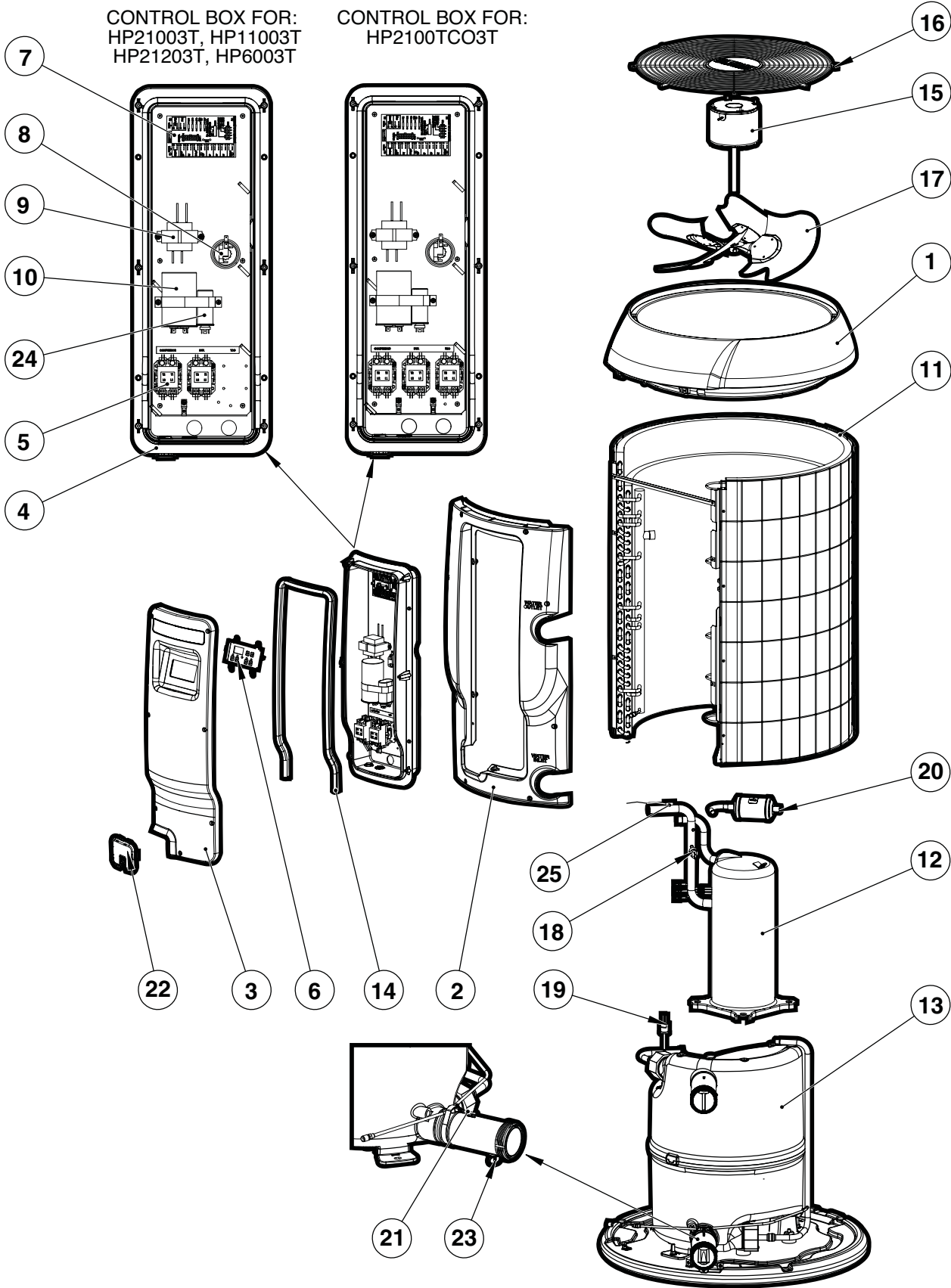
HeatPro®

HEAT PUMP REPLACEMENT PARTS

Parts Diagram: HP6003T, HP11003T, HP21003T, HP21203T, HP2100TC03T

CONTROL BOX FOR:
HP21003T, HP11003T
HP21203T, HP6003T

CONTROL BOX FOR:
HP2100TC03T



Heating

Parts Listing: HP6003T, HP11003T, HP21003T, HP21203T, HP2100TC03T

Ref. No.	Part No.	Description
1	HPX01023502	Fan Top
2	HPX01023503	Side Panel
3	HPX01023504	Control Box Cover
4	HPX01023505	Control Box
5	HPX1985	Contactora
6	HPX26024138	Control Board Assembly for HP21003T
6	HPX26024139	Control Board Assembly for HP21203T, HP21003T and HP6003T
6	HPX26024140	Control Board Assembly for HP2100TC03T
7	HPX11024130	Interface Board
8	HPX2181	Water Pressure Switch
9	HPX11023693	Transformer
10	HPX11024154	Capacitor for HP21003T, HP2100TC03T, HP11003T and HP6003T
10	HPX11024155	Capacitor for HP21203T
11	HPX24023929	Bent Coil with Guard
12	HPX11023911	Compressor for HP21203T
12	HPX11024170	Compressor for HP21003T, HP2100TC03T and HP11003T
12	HPX11024077	Compressor for HP6003T
13	HPX24023941	Condenser
14	HPX05023549	Cover Gasket
15	HPX11023564	Fan Motor, 1/3 H.P.
16	HPX01023561	Fan Guard
17	HPX15023562	Fan Blade
18	HPX2186	Replacement HP Switch
19	HPX2179	Replacement LP Switch
20	HPX15024023	Expansion Valve Assembly for HP21203T, HP21003T, HP2100TC03T, and HP11003T
20	HPX15024026	Expansion Valve Assembly for HP6003T
21	HPX2169	Temperature Sensor
22	HPX01023760	Electrical Entry Plug
23	SPX4000FG	Drain Plug
24	HPX11024151	Fan Run Capacitor
25	HPX11024169	Defrost Sensor

NOT PICTURED

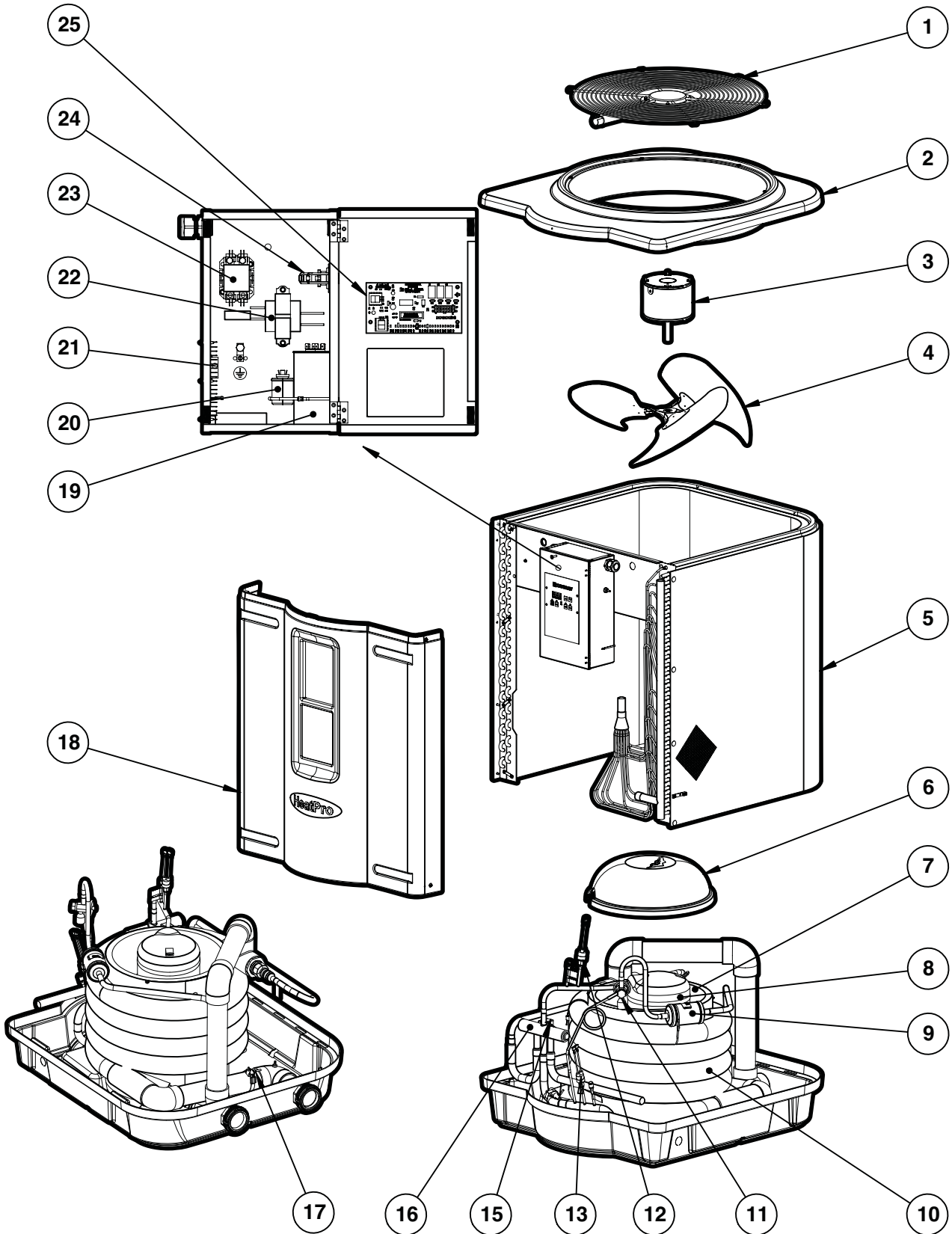
	HPX10023517	HPC Cable
	HPX02024108	Compressor Blanket
	HPXSCRKIT1	Screw Replacement Kit
	HPX0054	Compressor Mount Kit
	HPX2223	Compressor Electrical Plug



HeatPro®

140,000 BTU HEAT COOL HEAT PUMP REPLACEMENT PARTS

Parts Diagram: HP21404T, HP31154T



Heating

Parts Listing: HP21404T, HP31154T

Ref. No.	Part No.	Description
1	SMX305000004	Fan Guard
2	SMX309077011	Top Panel
3	SMX300055036	Fan Motor
4	SMX303140003	Fan Blade
5	SMX305099004	Evaporator for HP21404T
	SMX24024960	Evaporator for HP31154T
6	SMX01024512	Plastic Dome
7	SMX26024728	Acoustic Panel for HP21404T
	SMX26024537	Acoustic Panel for HP31154T
8	SMX11024201	Compressor for HP21404T
	SMX301150010	Compressor for HP31154T
	SMX10024715	Compressor Plug (not shown)
9	HPX1462	Filter – Drier
10	SMX24024864	Heat-Exchanger for HP21404T
	SMX24024942	Heat-Exchanger for HP31154T
11	SMX15024907	Thermal Expansion Valve (TXV) for HP21404T
	SMX15024595	Thermal Expansion Valve (TXV) for HP31154T
12	HPX11024258	High Pressure Switch
13	HPX11024259	Low Pressure Switch
14	SMX306000023	Defrost Sensor for HP21404T (N.A. for HP31154T)
15	SMX15024966	Solenoid Coil for HP31154T (N.A. for HP21404T)
16	SMX15024941	Reversing Valve for HP31154T (N.A. for HP21404T)
17	SMX306000024	Water Temperature Sensor for HP21404T
	SMX11024957	Water Temperature Sensor for HP31154T
18	SMX309099015	Front Panel for HP21404T
	SMX309099013	Front Panel for HP31154T
19	HPX11024743	Run Capacitor
20	HPX11024151	Fan Capacitor
21	HPX11023509	Interface Board for HP31154T (N.A. for HP21404T)
22	HPX11023693	Transformer
23	HPX1985	Contactora
24	HPX2181	Water Pressure Switch
25	SMX306000016	Control Board for HP21404T
	SMX11023511	Control Board for for HP31154T
	HPX10023517	Control Board Cable (not shown) for HP31154T (N.A. for HP21404T)
	SMX14024927	Consumer Kit (not shown)
	SMX300055113	Cover-Winter (not shown)



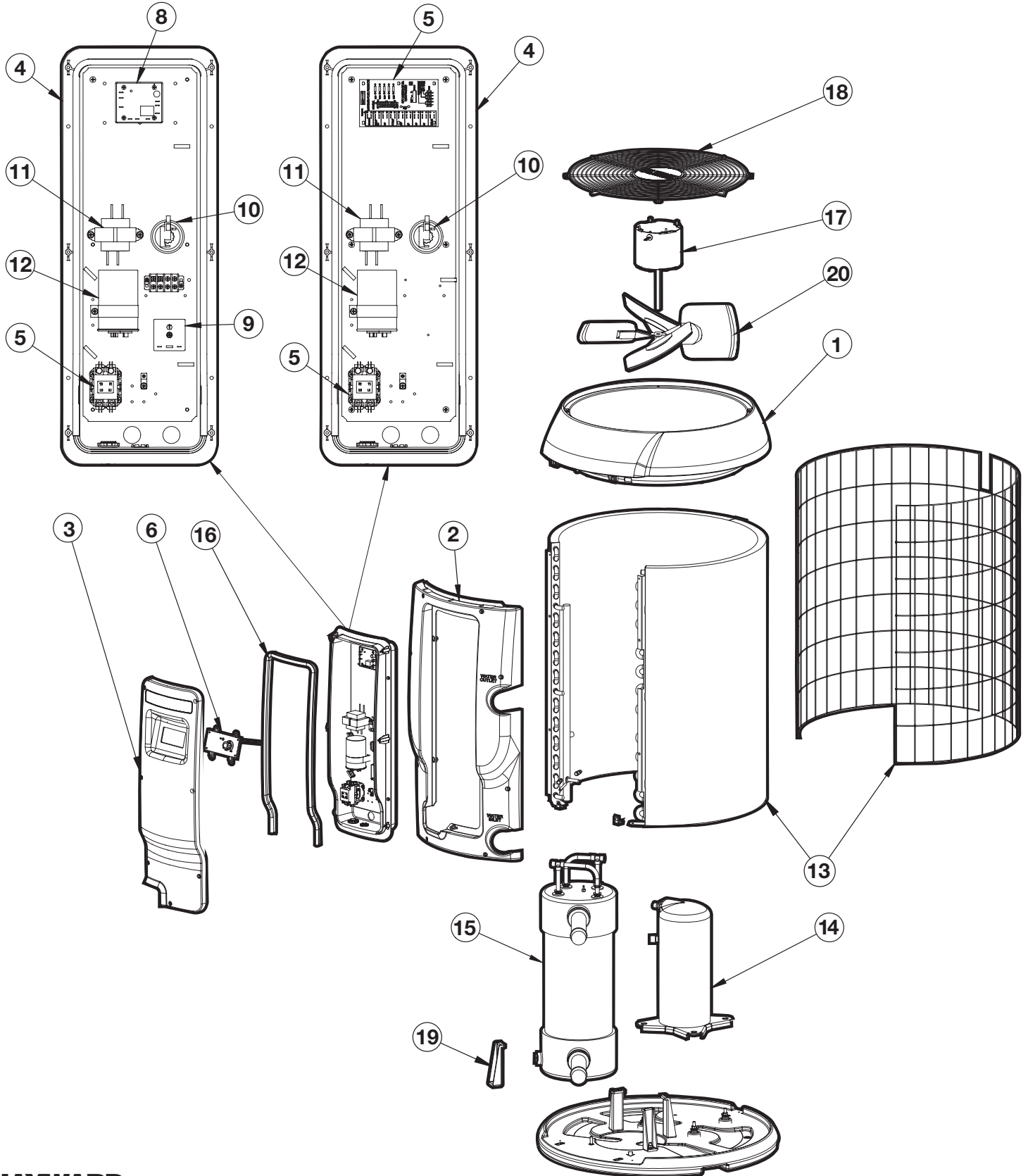
HeatPro®

HEAT PUMP REPLACEMENT PARTS

Parts Diagram: HP21002, HP2100TC02, HP21002C, HP11002, HP6002

Analog Thermostat

Digital Thermostat



Heating

Parts Diagram: HP21002, HP2100TC02, HP21002C, HP11002, HP6002

Ref. No.	Part No.	Description
1	HPX01023502	Fan Top
2	HPX01023503	Side Panel
3	HPX01023504	Electrical Box Cover
4	HPX01023505	Control Box
5	HPX1985	Contactora
6	HPX26023631	Control Board Assembly – HP21002,02C, HP6002
	HPX26023632	Control Board Assembly – HP2100TC02
	HPX26023633	Control Board Assembly – HP11002
7	HPX11023509	Interface Board
8	HPX2134	Potted T*Stat Board – HP11002
9	HPX1483	Time Delay Relay – HP1102
10	HPX2181	Water Pressure Switch
11	HPX11023693	Transformer
12	HPX2040	Capacitor
	HPX11023542	Capacitor – HP6002
13	HPX24023528	Bent Coil with Guard
	HPX24023548	Bent Coil with Guard – HP6002
14	HPX1916	Compressor
	HPX1960	Compressor – HP6002
15	HPX24023619	Condenser
	HPX24023730*	Condenser – HP21002C
16	HPX05023549	Cover Gasket
17	HPX11023564	Fan Motor
18	HPX01023561	Fan Guard
19	HPX01023515	Condenser Bracket (<i>Set of 4</i>)
20	HPX15023562	Fan Blade
NOT PICTURED		
—	HPX10023517	HPC Cable – HP21002, 02C, 2100TC02, HP6002
—	HPX2001	Bulb Well
—	HPX2179	Replacement LP Switch
—	HPX2186	Replacement HP Switch
—	HPX15023570	Expansion Valve Assembly – HP21002, 02C, 2100TC02, 11002
—	HPX15023600	Expansion Valve Assembly – HP6002
—	HPX15023676	Defrost Valve – HP21002C Only
—	HPX2169	Temperature Sensor
—	HPX0054	Compressor Mount Kit
—	HPX2223	Compressor Electric Plug
—	HPXFUSE1A	Kit – Fuse, 1 Amp (<i>5 Pack</i>)

*Use part HPX24023730 on HP21002C built prior to S/N 21120509001694001.



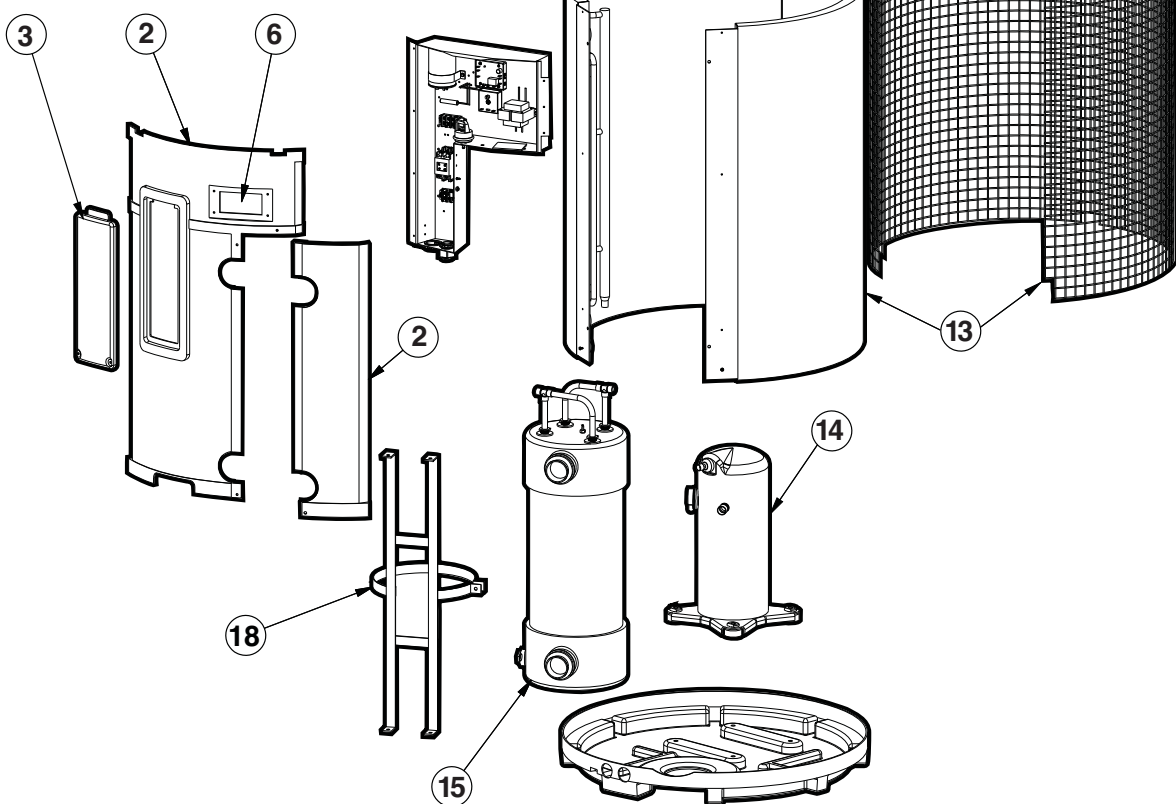
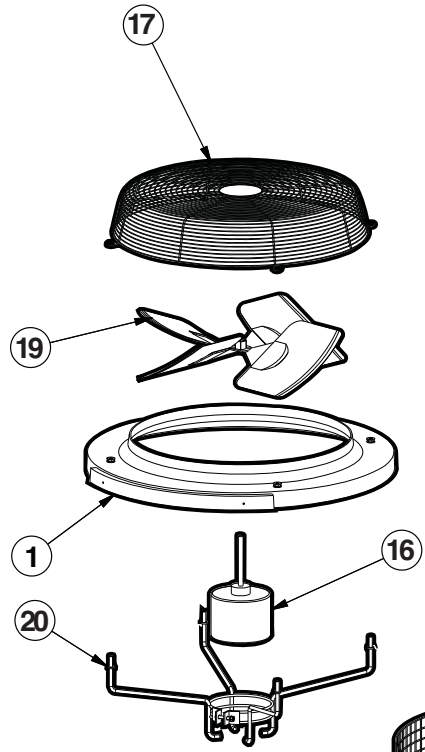
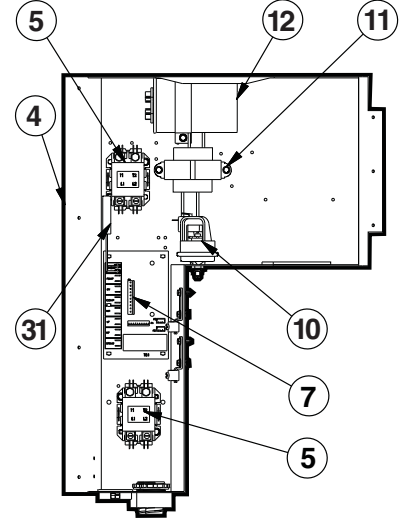
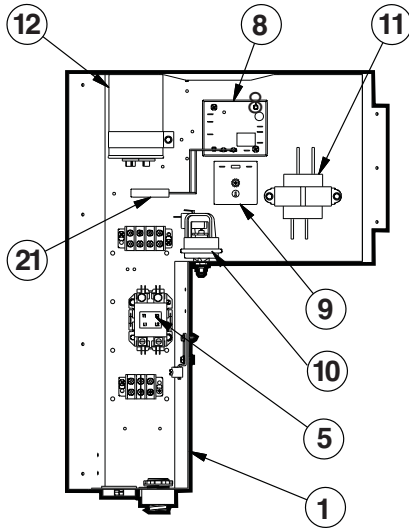
HeatPro®

HEAT PUMP REPLACEMENT PARTS

Parts Listing: HP2100, HP2100TCO, HP1100, HP600, HPABGDELUXE

Analog Thermostat

Digital Thermostat



Heating

Parts Listing: HP2100, HP2100TCO, HP1100, HP600, HPABGDELUXE

Ref. No.	Part No.	Description
1	HPX2327	Fan Top
2	HPX2329	Side Panels – HP2100, HP2100TCO, HP1100, HP600, HPABGDELUXE
	HPX2330	Right Front Panel Taupe
3	HPX2331	Electrical Box Cover
4	HPX2294	Control Box
5	HPX1985	Contactator
6	HPXCTLKIT1	Control Board Assembly – HP2100
	HPX2289	Control Board Assembly – HP2100TCO
	HPX26023633	Control Board Assembly – HP1100,HP600, HPABGDELUXE
7	HPX2227	Interface Board – HP2100, HP2100TCO
8	HPX2134	Potted T'Stat Board – HP1100 HP600, HPABGDELUXE
9	HPX1483	Time Delay Relay – HP1100, HP600, HPABGDELUXE
10	HPX2181	Water Pressure Switch
11	HPX11023693	Transformer
12	HPX2040	Capacitor
	HPX11023542	Capacitor – HP600, HPABGDELUXE
13	HPX1448ALT	Bent Coil with Guard
14	HPX1916	Compressor
	HPX1960	Compressor – HP600, HPABGDELUXE
15	HPX24023619	Condenser
16*	HPX11031134*	Fan Motor
17	HPX0970	Fan Guard
18	HPX2297	Condenser Bracket
19	HPX689	Fan Blade
20	HPX1140	Fan Mounting Bracket
21	HPX2169	Temperature Sensor
NOT PICTURED		
—	HPX2229	Cover Gasket
—	HPX2268	Wiring Harness PST, HP2100
—	HPX2235	Wiring Harness PST, HP2100TCO
—	HPX2001	Bulb Well
—	HPX2179	Replacement LP Switch
—	HPX2186	Replacement HP Switch
—	HPX15023570	Expansion Valve Assembly
—	HPX15023600	Expansion Valve Assembly – HP600 HPABGDELUXE
—	HPX2261A	Tie-Down Kit
—	HPX2169	Temperature Sensor
—	HPX0054	Compressor Mount Kit
—	HPX2223	Compressor Electric Plug

*Use part HPX1103113440 on units HP600, HPABDELUXE built prior to S/N 21120502006396001.

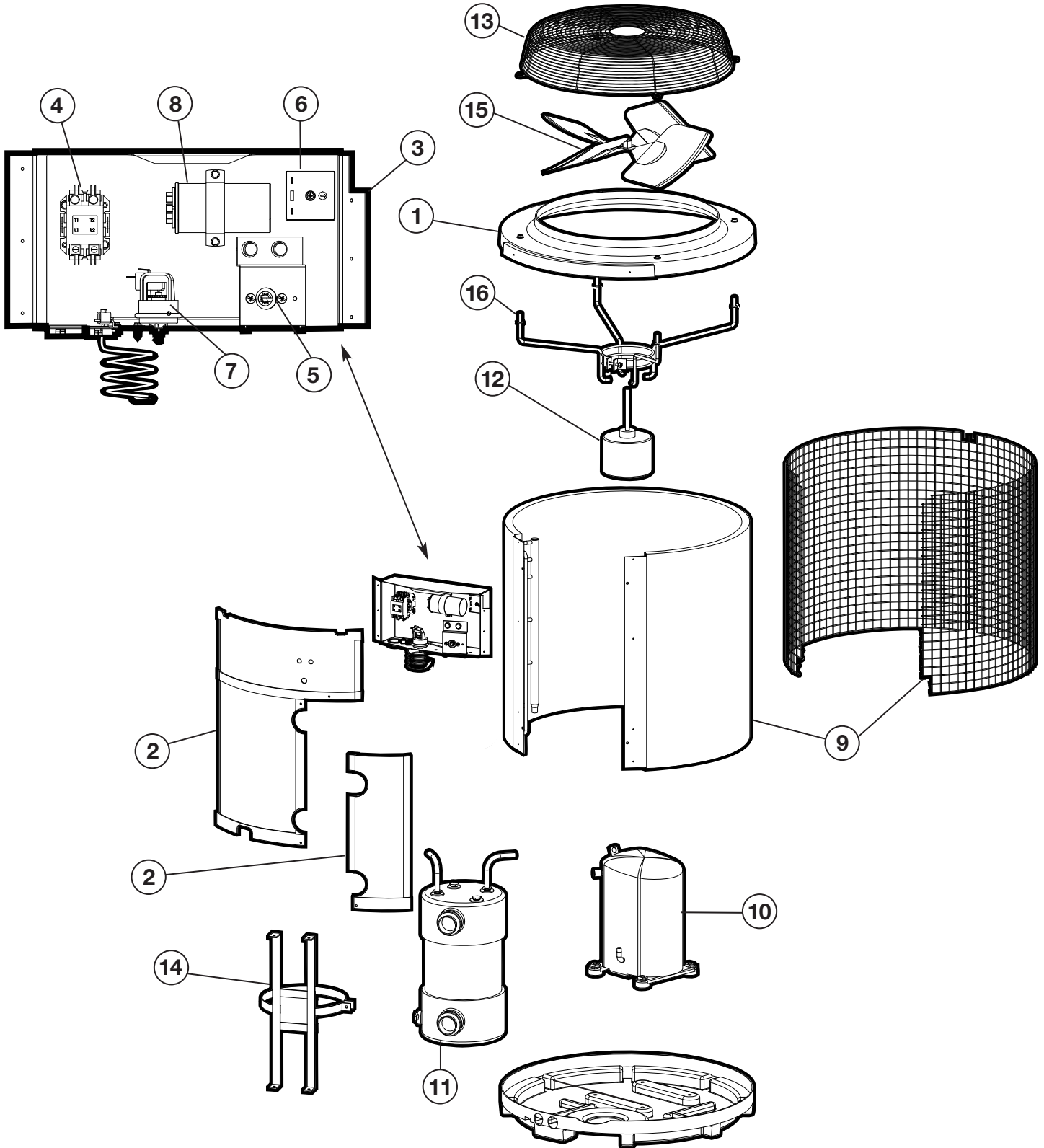


HeatPro®

ABOVE GROUND HEAT PUMP REPLACEMENT PARTS

Parts Listing: HP380, HPABC

Heating



Parts Listing: HP380, HPABG

Ref. No.	Part No.	Description
1	HPX2327	Fan Top
2	HPX2427H	Side Panel – HP380
	HPX2428H	Side Panel – HPABG
3	HPX2416	Control Box
4	HPX1811	Contactora
5	HPX1105	Thermostat
6	HPX1483	Time Delay Relay
7	HPX2181	Water Pressure Switch
8	HPX11023543	Capacitor
9	HPX2088	Bent Coil with Guard
10	HPX2417	Compressor
11	HPX2423	Condenser
12*	HPX11031134*	Fan Motor
13	HPX0970	Fan Guard
14	HPX2415	Condenser Bracket
15	HPX689	Fan Blade
16	HPX1140	Fan Mounting Bracket

NOT PICTURED

—	HPX2001	Bulb Well
—	HPX2179	Replacement LP Switch
—	HPX2186	Replacement HP Switch
—	HPX15031135	Expansion Valve Assembly
—	HPX2261A	Tie-Down Kit
—	HPX0054	Compressor Mount Kit
—	HPX01023727	Knob for HPX1105 Thermostat
—	HPX05023549	Cover Gasket

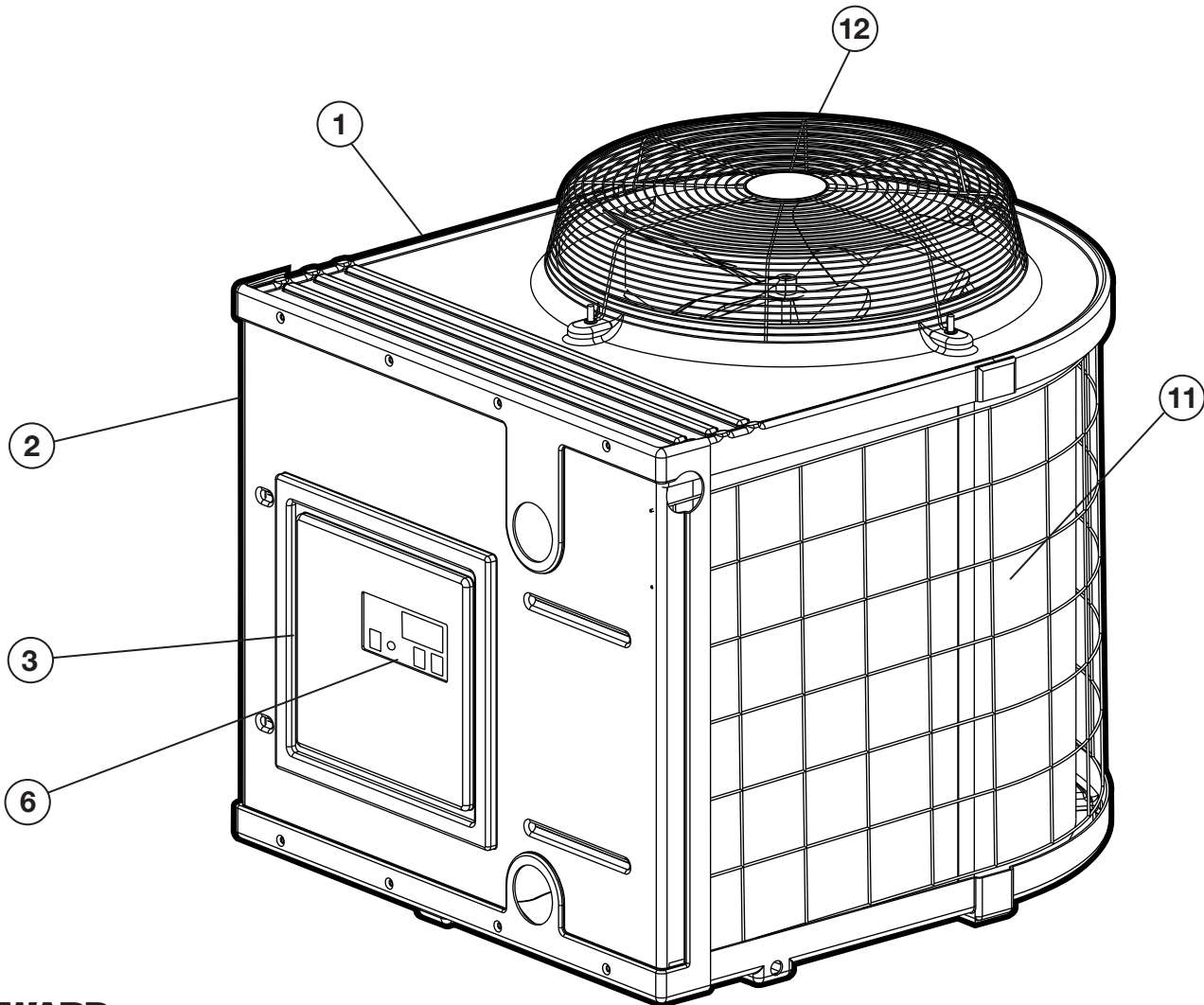
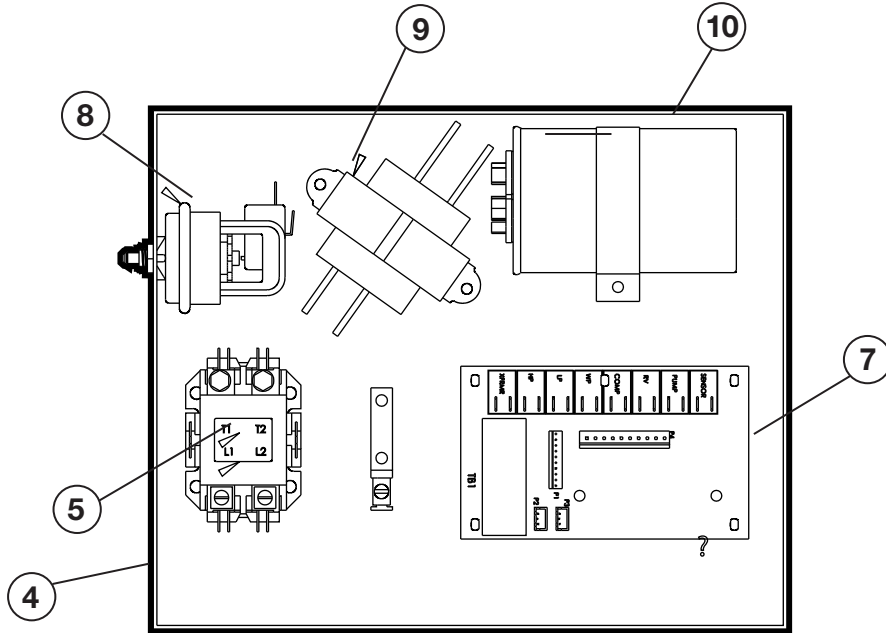
*Use part HPX1103113435 on units HP380 and HPAB built prior to S/N 21120501007121001.



HeatPro®

ABOVE-GROUND HEAT PUMP REPLACEMENT PARTS

Parts Diagram: HP5, H/C, HP3100



Heating

Parts Listing: HP5, H/C, HP3100

Ref. No.	Part No.	Description
1	HPX1982	Fan Top
2	HPX1981	Side Panel
3	HPX1997	Electrical Box Cover
4	HPX2247	Control Box Assembly
5	HPX1985	Contactora
6	HPX2290	Control Board Assembly
7	HPX2227	Interface Board
8	HPX2181	Water Pressure Switch
9	HPX2135	Transformer
10	HPX2040	Capacitor
11	HPX1986	Bent Coil with Guard
12	HPX0970	Fan Guard

NOT PICTURED

—	HPX1916	Compressor
—	HPX2092-H/C	Condenser
—	HPX2268	Wiring Harness PST
—	HPX11031134	Fan Motor
—	HPX1437	Fan Blade
—	HPX1987	Fan Mounting Bracket
—	HPX2001	Bulb Well
—	HPX2179	Replacement LP Switch
—	HPX2186	Replacement HP Switch
—	HPX2412	Reversing Valve Assembly*
—	HPX2262A	Tie-Down Kit
—	HPX2169	Temperature Sensor
—	HPX0054	Compressor Mount Kit
—	HPX2223	Compressor Electric Plug
—	HPXFUSE1A	Kit – Fuse, 1 Amp (5 Pack)

*Reversing valve assembly includes TXV assembly.